

Peristaltic Pump

This pump is used for the condensate drain in the analytic system.



General type

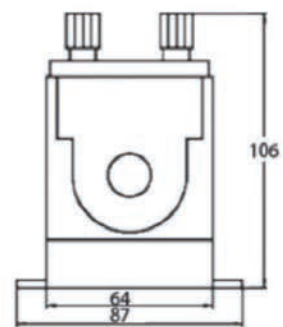
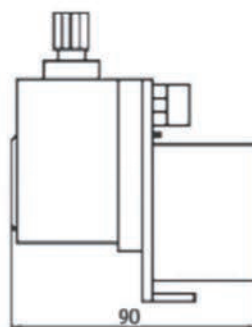
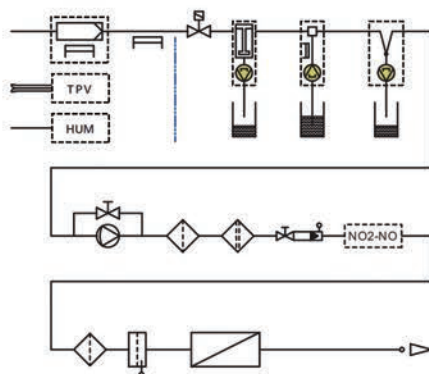


Adjustable type

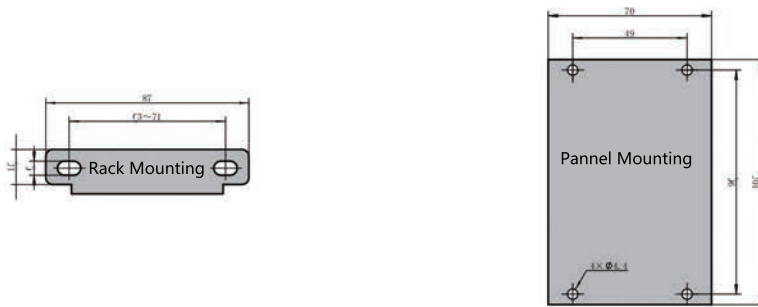
Specifications

Model	PW-PP series
Power supply	220V AC 24V DC 12V DC
Rated power	6W (220V supply)
Environment temperature	-5°C~45°C
Discharge rate	≤0.3L/h (5r/min)
Suction capacity	0.22MPa
Pump pipe	OD7.5mm/4.1mm
LOK fitting	OD6/4
Discharge direction	Right-in Left-out
Installation method	Rack mounting Panel mounting

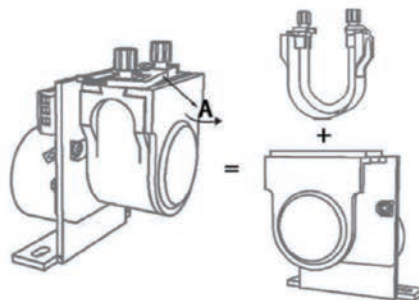
Drawing



Peristaltic Pump



How to replace pipe



How to choose a model

Perisaltic Pump (PW-PP)			
Catagory	Type		
<input type="checkbox"/> A	General		
<input type="checkbox"/> B	Adjustable		
	Catagory	Power supply	
	<input type="checkbox"/> 1	220V AC	
	<input type="checkbox"/> 2	24V DC (for adjustable type)	
	<input type="checkbox"/> 3	12V DC (for adjustable type)	
	Catagory	Speed	
	<input type="checkbox"/> 1	1r/min	
	<input type="checkbox"/> 5	5r/min	
	<input type="checkbox"/> 6	10r/min	
	<input type="checkbox"/> 7	20r/min	
	<input type="checkbox"/> 0	for adjustable model	
		Catagory	Mounting
		<input type="checkbox"/> R	Rack mounting
		<input type="checkbox"/> P	Pannel mounting
For example, if you want to choose general type, 220v,5r/min, rack mounting, the model number should be PW-PP/A1/5R			